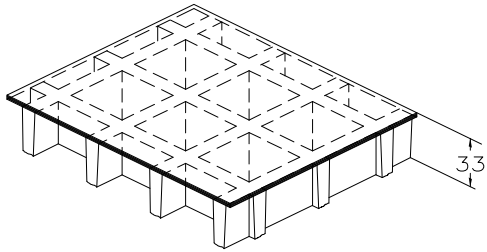


SCH 38/30C\_IFR

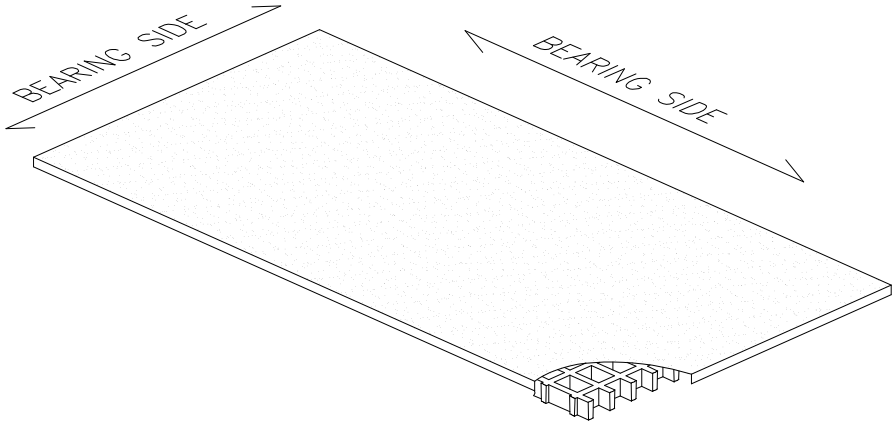
06.05.2011 - Rev. 4

**MOLDED GRATINGS**

<b>Mesh</b>	mm 38 x 38	
<b>Thickness</b>	mm 33	
<b>Cover thickness</b>	mm 3	
<b>Bearing bar thickness</b>	mm 7 upper part	
	mm 5 bottom part	
<b>Color</b>	<b>Grey RAL 7004</b> <i>indicative RAL reference</i>	

<b>Raw materials</b>	<b>Polyester Resin</b>
	<b>Roving glass fiber + Mat and Woven Fabric type "E"</b>
	<b>Inorganic fillers without halogens</b>

<b>Resin type</b>	<b>Modulus of elasticity</b>	<b>Ultimate stress</b>
<b>IFR</b>	15000 MPa	250 MPa

<b>Standard panels</b>	
mm 1000 x 2000	
mm 1000 x 4038	
mm 1220 x 3660	
<b>Weight kg/m² 23</b>	
<b>tolerance</b>	± mm 5 panel dimensions
	± mm 2 height

<b>Surface</b>	A	<b>Quartz</b>	<b>Antiskid level R13 V4 norm DIN 51130</b>
----------------	---	---------------	---

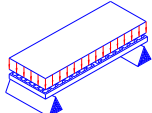
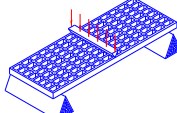
<b>Reaction to fire</b>	<b>Fire retardant</b>	<b>Spread ≤ 25 norm ASTM E84-98</b>
		<b>Level B<sub>f</sub>-S1 norm EN 13501-1</b>

<b>Ageing resistance</b>	<b>Ageing test made with UV lamp according to ASTM G154-06 and passed with 5 points on the gray range and without evident defects</b> (test made with 1500 hours of exposure to 4 hours alternate cycles at a UV temperature of 60°C and 4 hours at a condensed temperature of 50°C irradiated by UVB 313 nm lamp, radiance 0,71 W/m²)
	<b>After the exposure to heat, cold and humidity cycles according to UNI EN ISO 9142/04 norm (n° 21 cycles type D3) there is no evidence of defects</b>

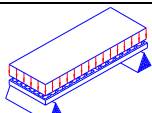
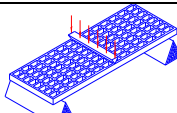
## LOADS

### MAXIMUM SUGGESTED LOADS

Type of support	<b>On the line of the two ends of the panel</b>
Limits determined by	<b>Deflection</b> (load sagging)
the <b>maximum deflection admitted</b> , is 1/200 of the distance between the supports	
According to the standard DIN 24537-3 deviation due to the load may be no more than 1/200 of the land width and the difference in height between neighbouring joints between loaded and unloaded floor coverings may be no more than 4 mm.	

DISTRIBUTED LOAD			CONCENTRATED LOAD			
	Distance between supports [cm]	Load with deflection equal to 1/200 [kg/m <sup>2</sup> ]		Load with deflection equal to 1/100	Distance between supports [cm]	Load with deflection equal to 1/200 [kg/m]
	50	4050	8100	50	1250	2500
	70	1450	2950	70	600	1250
	90	650	1350	90	350	750
	110	350	750	110	250	500
All lighter loads are admitted						

Limits determined by	<b>Admitted stresses</b> (stress determined by the load)
the <b>maximum admitted stress</b> is 1/5 of the ultimate stress (safety factor is equal to 0.20 – the ultimate stress is 5 times the specified load)	

DISTRIBUTED LOAD			CONCENTRATED LOAD		
	Distance between supports [cm]	Maximum admitted load [kg/m <sup>2</sup> ]		Distance between supports [cm]	Maximum admitted load [kg/m]
	50	6550	50	1600	
	70	3350	70	1150	
	90	2000	90	900	
	110	1350	110	700	
All lighter loads are admitted					

- The above characteristics are meant as reference values for standard material in ambient working temperature. Even if they are not to be considered as guaranteed characteristics they are based on our experience and are supplied in good faith.
- According to the standard DIN 24537-3 the conversion safety factor should be 0.75 for internal environmental exposure conditions, 0.65 for external exposure conditions, and 0.50 for aggressive exposure conditions.
- No matter which are the exposure conditions, chemical resistance must be always verified by contacting M.M. technical department.
- In case of heavy duty load compressive strength must be verified.