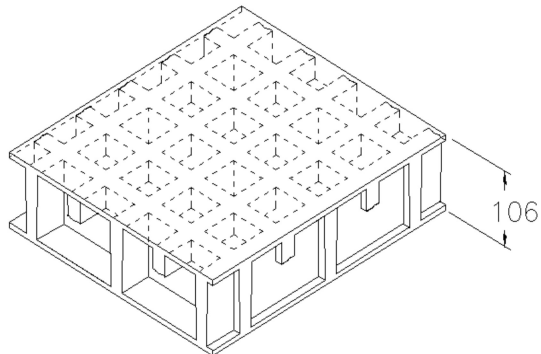


SCH 52/100DC_IFR

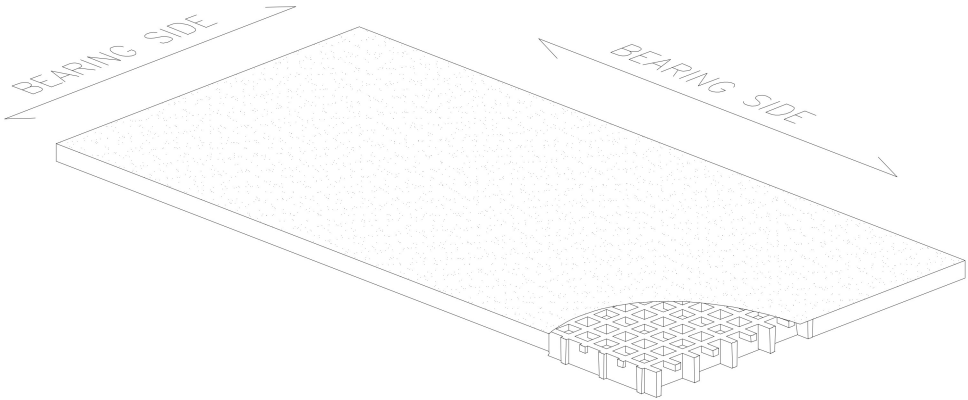
27.08.2018 - Rev. 5

MOLDED GRATINGS

Mesh	mm 52 x 52 main	
	mm 26 x 26 secondary	
Thickness	mm 106	
Cover thickness	mm 3 upper cover	
	mm 3 bottom cover	
Bearing bar thickness	mm 10 upper part	
	mm 8 bottom part	
Color	Grey RAL 7004 <i>indicative RAL reference</i>	

Raw materials	Polyester Resin
	Roving glass fiber + Mat and Woven Fabric type "E"
	Inorganic fillers without halogens

Resin type	Modulus of elasticity	Ultimate stress
IFR	15000 MPa	130 MPa

Standard panels	
mm 1010 x 1495	
Weight kg/m² 70	
tolerance	± mm 5 panel dimensions
	± mm 2 height

Surface	A	Quartz	Antiskid level R13 V4 norm DIN 51130
----------------	---	---------------	---

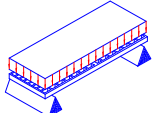
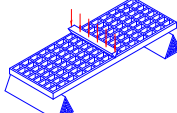
Reaction to fire	Fire retardant	Spread ≤ 25 norm ASTM E84-98
		Level B_f-S1 norm EN 13501-1

Ageing resistance	Ageing test made with UV lamp according to ASTM G154-06 and passed with 5 points on the gray range and without evident defects (test made with 1500 hours of exposure to 4 hours alternate cycles at a UV temperature of 60°C and 4 hours at a condensed temperature of 50°C irradiated by UVB 313 nm lamp, radiance 0,71 W/m²)
	After the exposure to heat, cold and humidity cycles according to UNI EN ISO 9142/04 norm (n° 21 cycles type D3) there is no evidence of defects

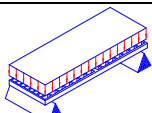
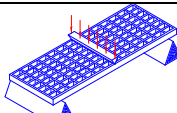
LOADS

MAXIMUM SUGGESTED LOADS

Type of support	On the line of the two ends of the panel
Limits determined by	Deflection (load sagging)
the maximum deflection admitted , is 1/200 of the distance between the supports	
According to the standard DIN 24537-3 deviation due to the load may be no more than 1/200 of the land width and the difference in height between neighbouring joints between loaded and unloaded floor coverings may be no more than 4 mm.	

DISTIBUTED LOAD			CONCENTRATED LOAD			
	Distance between supports [cm]	Load with deflection equal to 1/200 [kg/m ²]		Load with deflection equal to 1/100	Distance between supports [cm]	Load with deflection equal to 1/200 [kg/m]
	80	35450	70950	80	17700	35450
	100	18150	36350	100	11350	22700
	120	10500	21000	120	7850	15750
	140	6600	13200	140	5750	11550
All lighter loads are admitted						

Limits determined by	Admitted stresses (stress determined by the load)
the maximum admitted stress is 1/5 of the ultimate stress (safety factor is equal to 0.20 – the ultimate stress is 5 times the specified load)	

DISTIBUTED LOAD			CONCENTRATED LOAD		
	Distance between supports [cm]	Maximum admitted load [kg/m ²]		Distance between supports [cm]	Maximum admitted load [kg/m]
	80	19350	80	7700	
	100	12350	100	6150	
	120	8600	120	5150	
	140	6300	140	4400	
All lighter loads are admitted					

- The above characteristics are meant as reference values for standard material in ambient working temperature. Even if they are not to be considered as guaranteed characteristics they are based on our experience and are supplied in good faith.
- According to the standard DIN 24537-3 the conversion safety factor should be 0.75 for internal environmental exposure conditions, 0.65 for external exposure conditions, and 0.50 for aggressive exposure conditions.
- No matter which are the exposure conditions, chemical resistance must be always verified by contacting M.M.technical department.
- In case of heavy duty load compressive strength must be verified.